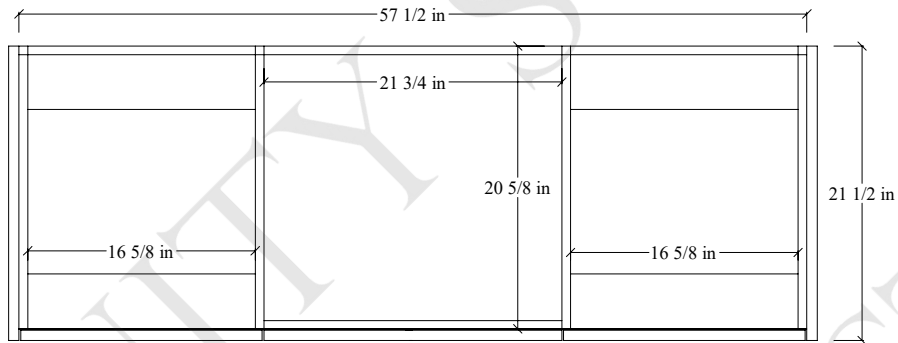
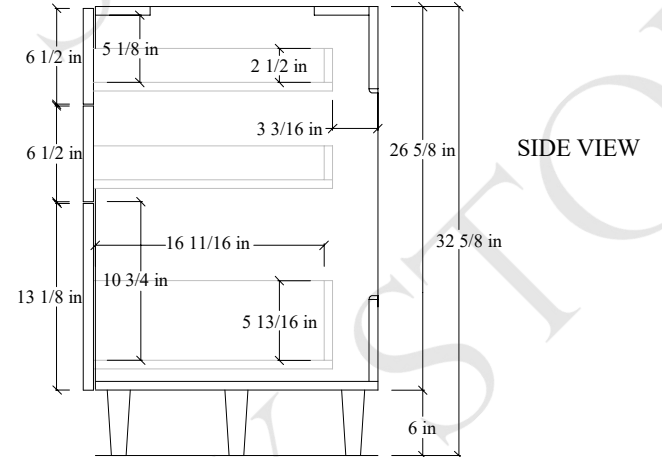
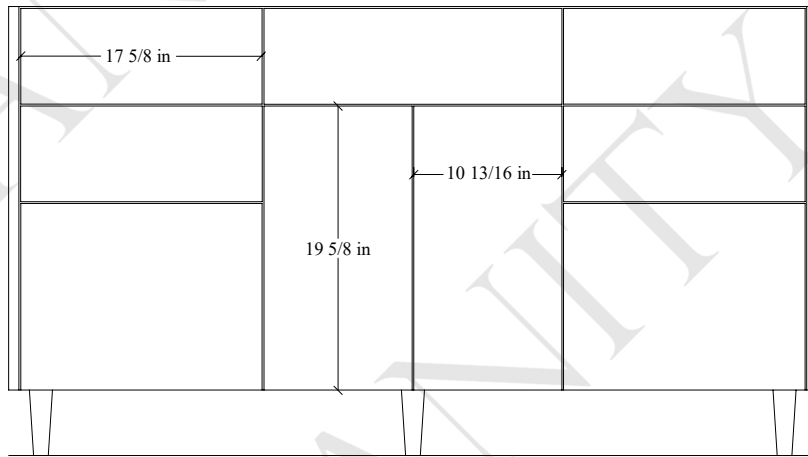


# 60S" Austin Free Standing Vanity

TOP VIEW



FRONT VIEW



SIDE VIEW

Secure vanity to studs within 4" from side gables. →

INSIDE BACK VIEW

