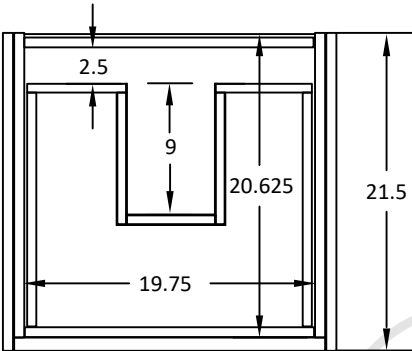
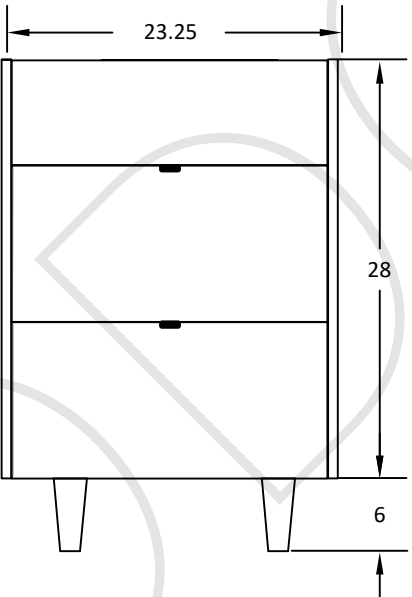


24" ASHBURY FREE STANDING VANITY

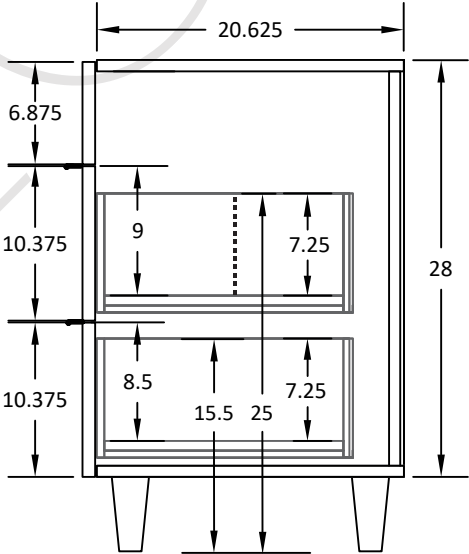
TOP VIEW



FRONT VIEW





SIDE VIEW



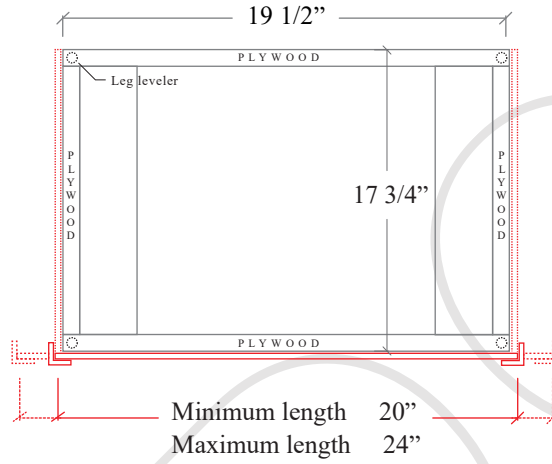
TEODOR VANITIES®

1-888-807-2323 | info@thevanitystore.com

24" TOE KICK

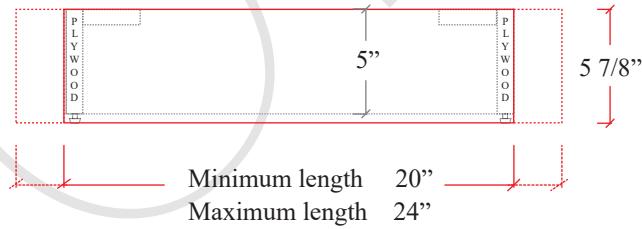
-  Finish piece (1/4" thick)
-  Plywood base (3/4" thick)

TOP VIEW

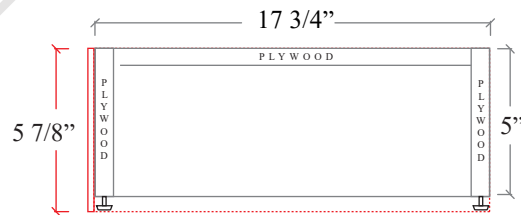


Side finish piece installation is optional

FRONT VIEW



SIDE VIEW



Leg levelers add 1/4" - 7/8" to plywood base height