

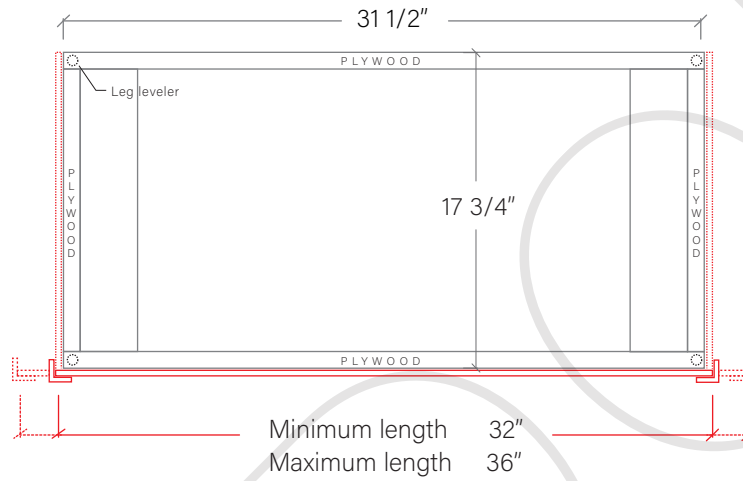


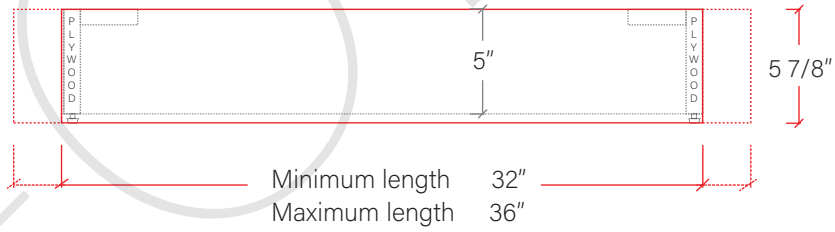
36" TOE KICK

-  Finish piece (1/4" thick)
-  Plywood base (3/4" thick)

TOP VIEW



FRONT VIEW



SIDE VIEW



Leg levelers add 1/4" - 7/8" to plywood base height

TEODOR

1-888-807-2323 | info@teodorvanities.com